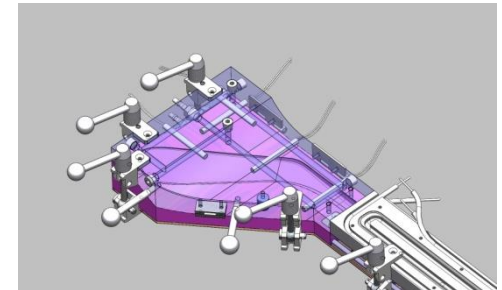
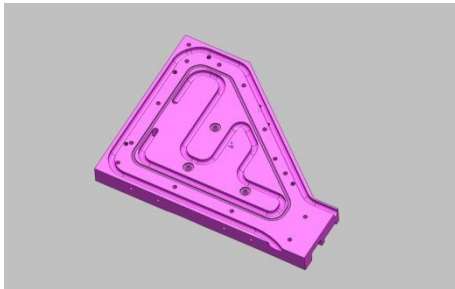
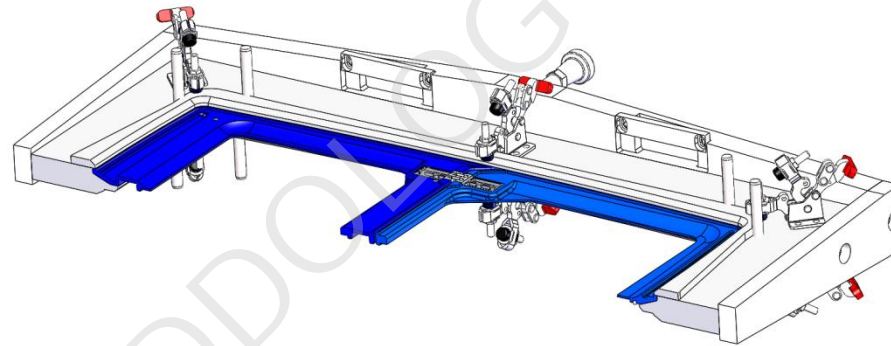


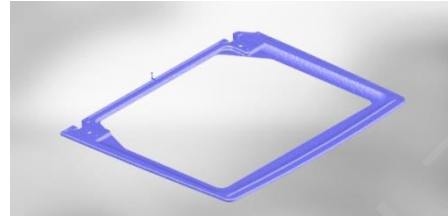
Technical / Project Portfolio.



About Caddology Ltd

Caddology Ltd is an independent company offering a range of Computer Aided Design solutions geared to the professional, technical business market. We at Caddology provide a bespoke service tailored to each client, fulfilling the remit to the highest standard. Our philosophy is to focus on the finer detail, whilst ensuring the assignment completes efficiently and to specification.

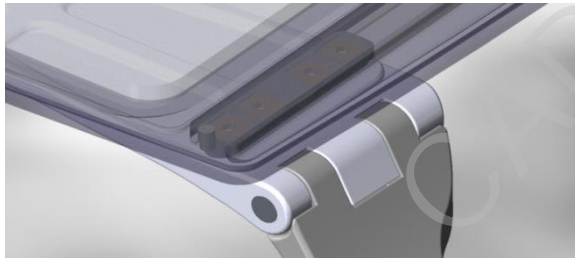
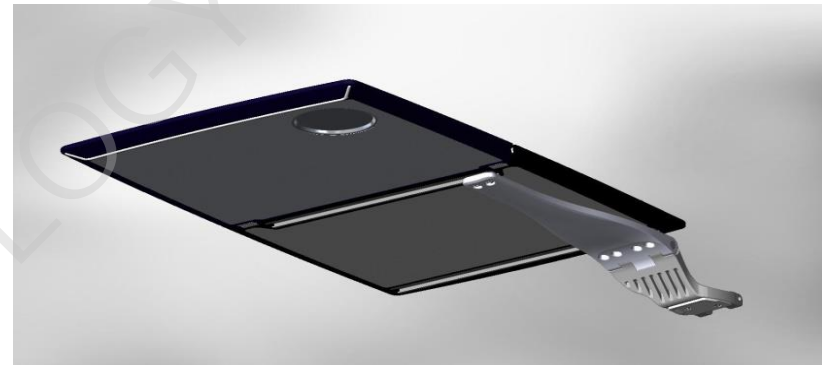




Rendering indicating colour options on composite moulded frames.

Solid Modelling / Design.....

CADDOLOGY has invested into, Solidworks, to ensure it can support all markets. Solidworks provides the perfect platform for meeting all design and draughting needs, from basic computer modeling to many areas of simulation including FEA. Solidworks is used by many Automotive and Aerospace manufacturers at all tiers.



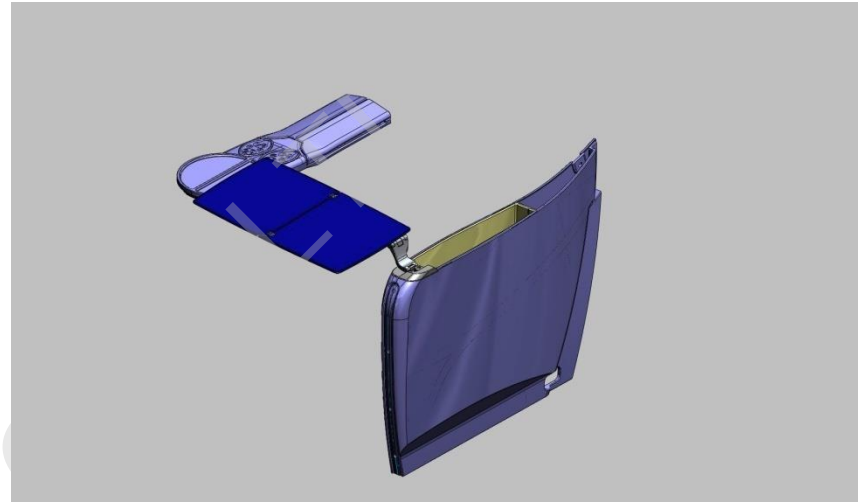
Bi Fold Business Class Meal Table presentation images from Solidworks, for Crystal Cabin Award Entry in Hamburg 2010.

Gained place in last 10 entrants from 150 entries.



Experience.....

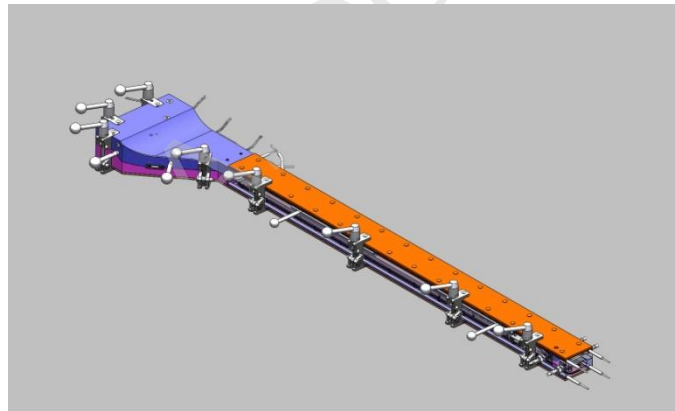
Caddology Ltd has used Solidworks extensively over many projects and contracts. We have over 10 years Solidworks experience.



GA of Bi Fold Table attached to side arm assembly.

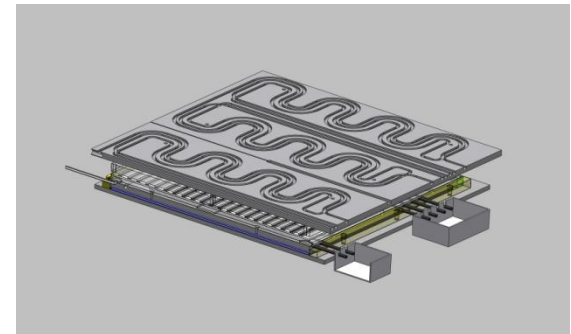


Concealed Hinge
Design On Bi Fold
Meal Table Design.

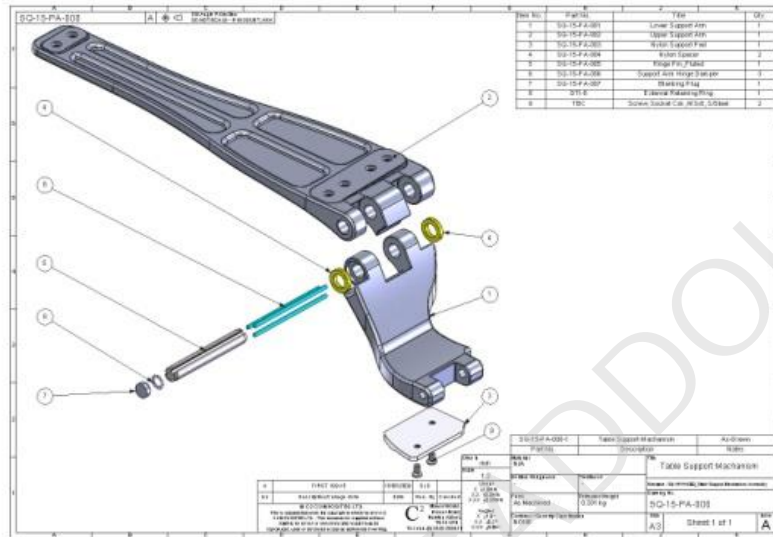


Solid Assembly Model of Composite Hockey Stick Tooling

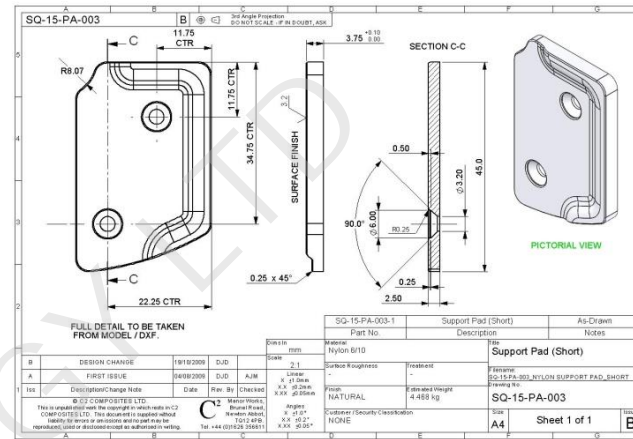
Be-spoke design of Heated / Air Cooled Press Plate Assembly using Solidworks



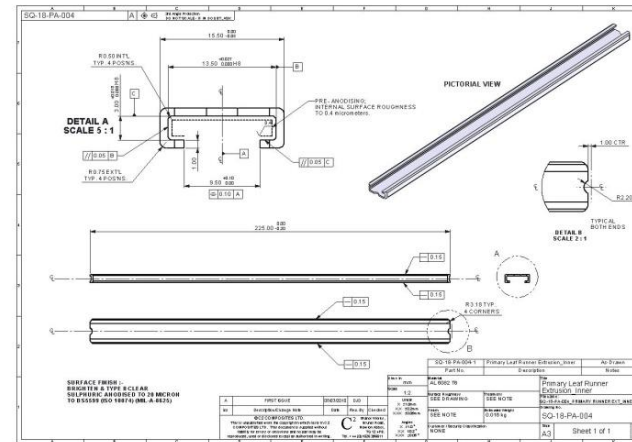
Experience.....



GA Of Damped Support Arm Mechanism For Airliner Meal Table.

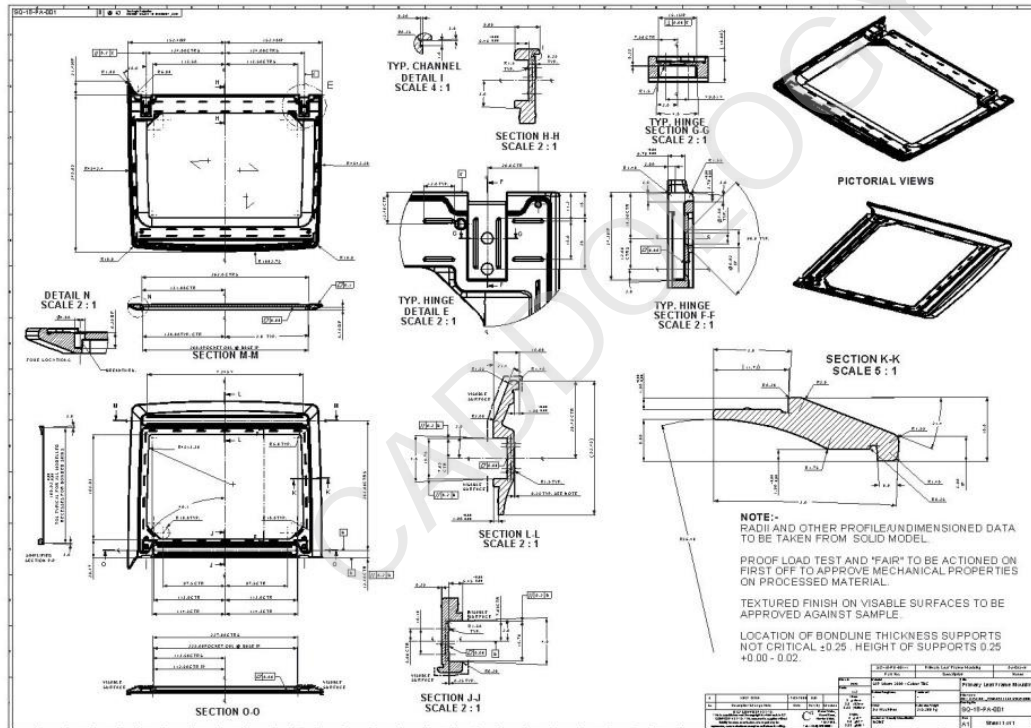


Nylon Support Pad for BI Fold Meal Table Support Arm Assembly.



Aluminium "C" Section Extrusion Designed to BS EN 755 – Grade AL6082 T6

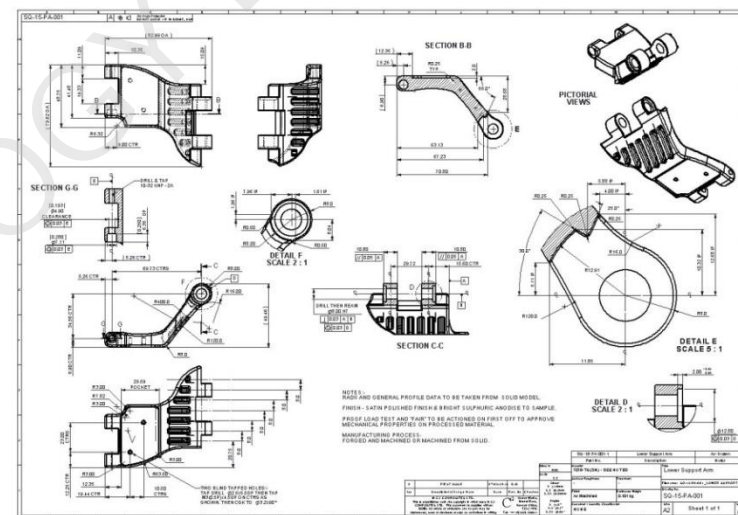
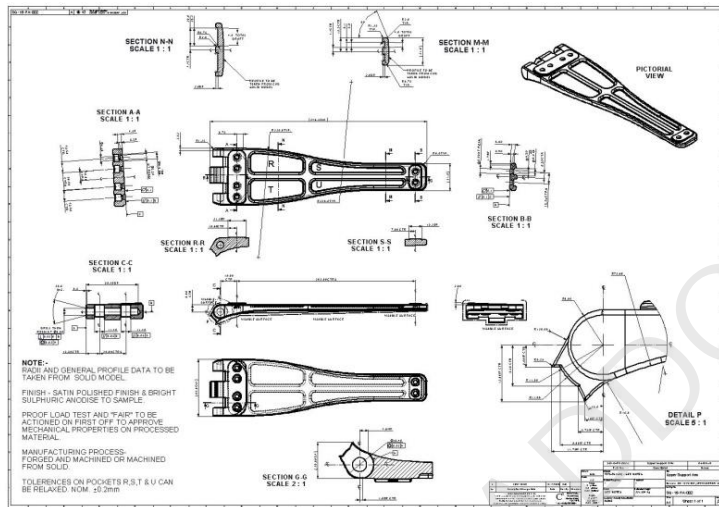
Detailing.....



Composite Injection Moulded Meal Table Frame – Material PEI Engineering Polymer

Detailing....

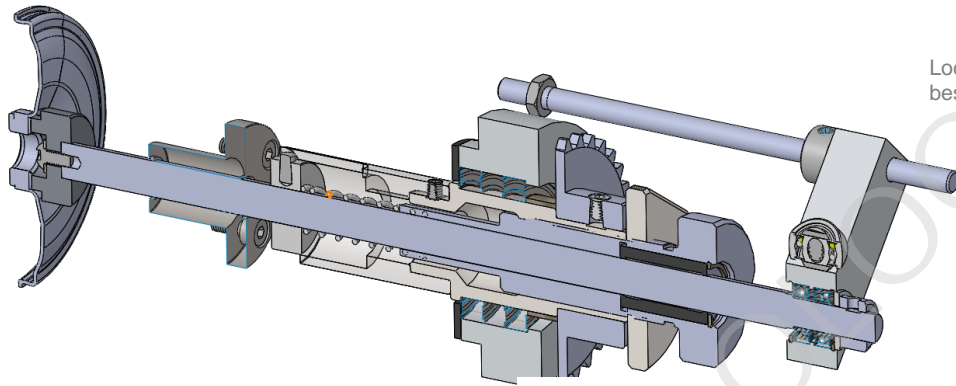
Caddology has experience to ensure correct levels of fit, form and function are part of the design whilst ensuring costs are kept to a minimum.



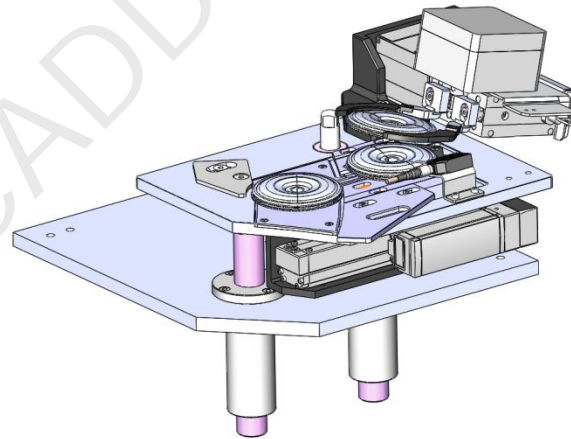
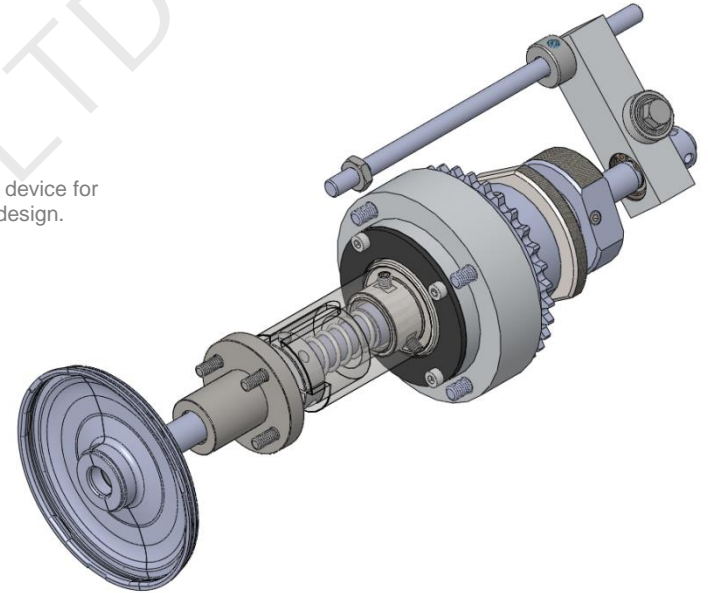
Upper Support Arm Forging
from Aerospace Grade
Aluminium Alloy AL7075.

Design...

On various contracts, we have been involved with designing and detailing bespoke machine assemblies / parts, either in isolation or part of a team.



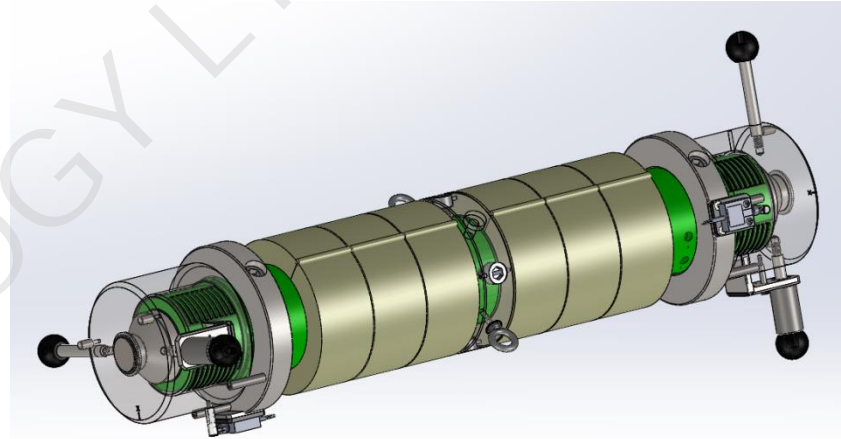
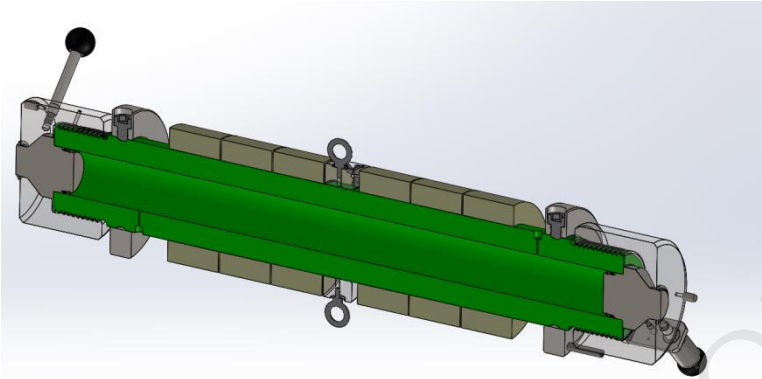
Locational Plunger device for bespoke machine design.



Pick & Place using electric actuators for the bespoke machine design.

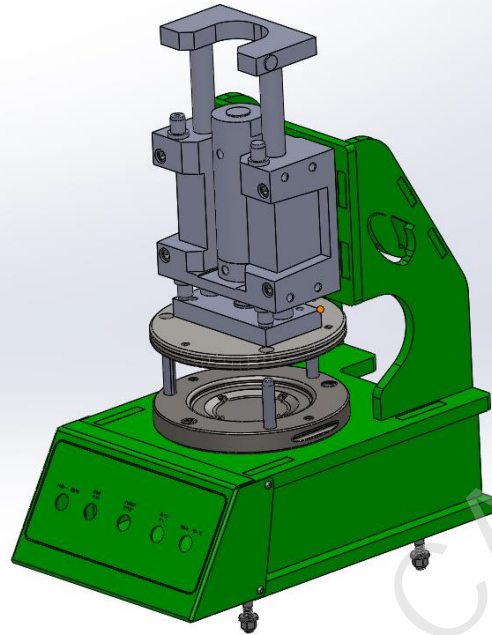
Design.....

Contracts can encompass full design or evolving an existing design, as well as just detailing up a concept design to a production unit.



Bespoke high pressure test chamber.



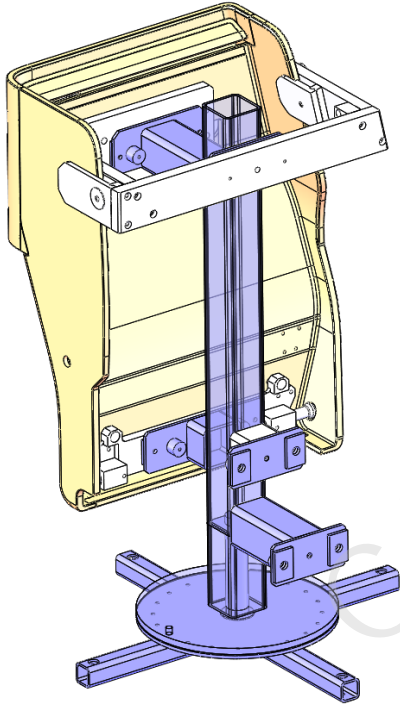


Bespoke hydraulic press and fixture.

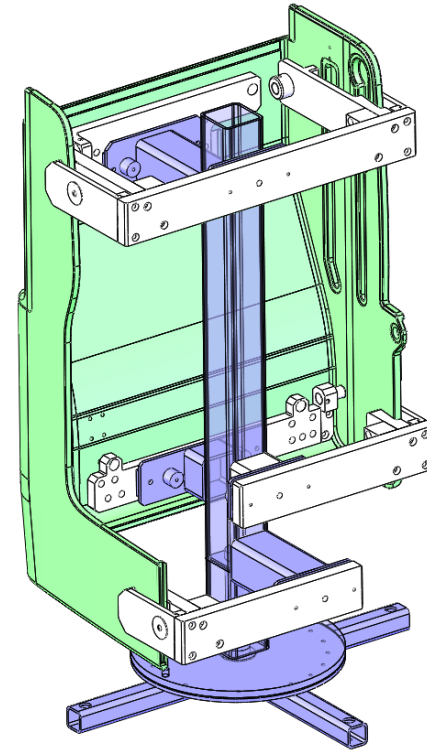
ITEM	QTY	PART NUMBER	SUPPLIER PART NO	REV	DESCRIPTION	IF IN DOUBT, ASK!
1	1	1045-000		1	IPM Closure Pin Press Tool Tool Plate Sub Assy	CONSTRUCTION NOTES:- - ENSURE THERE ARE NO BURRS OR SHARP EDGES PRIOR TO FINISHING. - Item 6 Extractable dowel, precision slide fit into plate Item. Then screw fixed underneath by Items 7 & 8. - Item 1, should be a easy location slide fit over Item 6, once fitted. - ALL THREADS & TAPPED HOLES TO BE KEPT CLEAN AND FUNCTIONAL. - KEEP FINISHED COMPONENT GREASE FREE.
2	1	1045-003		1	IPM Closure Pin Tool Cotilage/Ram Support Fabrication	
3	1	1045-111		1	IPM Closure Pin Tool Control Fascia Panel	
4	1	MGGM843-1000(0.0)		-		
5	4	M12x120 BLUE ALLOY STEEL SOCKET HEAD CAP SCREW class 12.9 Iso 4762		-		
6	2	12 DIA X 40 LG. M4X10 METRIC STEEL STANDARD EXTRACTABLE DOWEL PIN		-		
7	2	M4X12 SOCKET HEAD CAP SCREW CLASS 12.9 ISO 4762		-		
8	2	M4 CLASS 10.9 STEEL FLAT WASHER DIN 125		-		
9	2	M4 STEEL SPUSH LOCK WASHER DIN 128		-		
10	4	M12x85 BLACK ALLOY STEEL SOCKET HEAD CAP SCREW Class 12.9 Iso 4762		-		
11	4	M12 Class 10 NYLON-INSERT NONMARRING FLANGE LOCKNUT		-		
12	4	M12 CLASS 10.9 STEEL FLAT WASHER DIN 125		-		
13	4	M4 X 12 ALLOY STEEL BUTTON-HEAD CAP SCREW		-		

Design.....

Jig and Fixture design is important to ensure tight positional tolerances are maintained during the assembly or the curing of bonded parts. Caddology Ltd has been involved in various projects, at all levels.



Bespoke composite carcass bonding fixture, for commercial airline seating.



Design.....

Further fixture design, for the bonding of aircraft meal table leaf using substrate material. Fixture can be inverted to allow bonding to both sides.

